



MECCANICA

SOLO

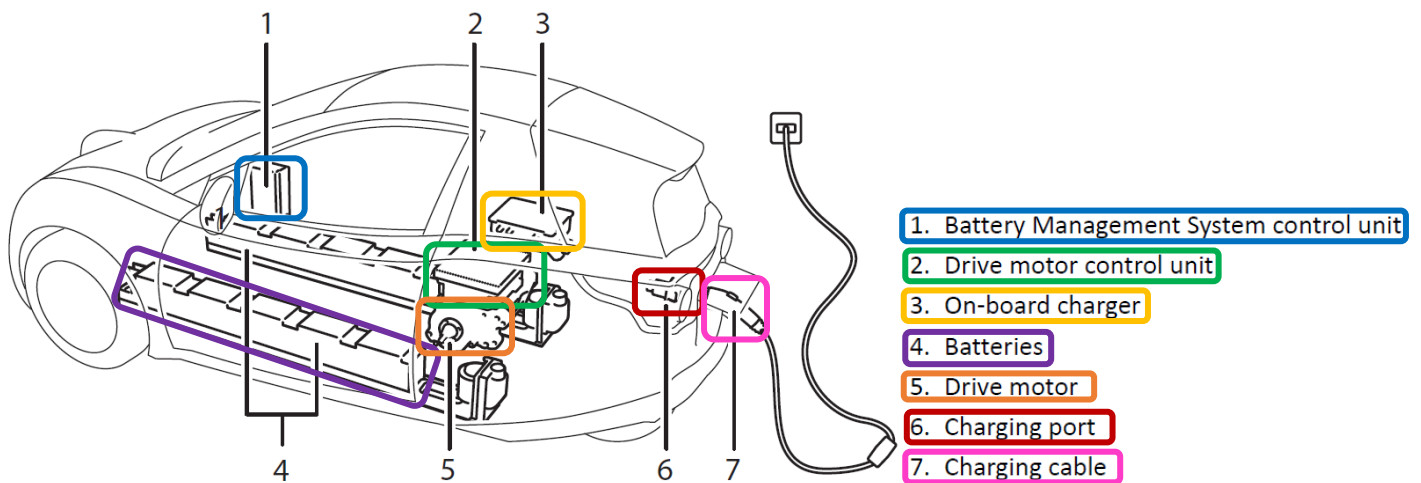
***EMERGENCY RESPONSE
QUICK GUIDE***



Vehicle Type Battery Electric Vehicle (BEV)
Make Electra Meccanica Vehicle Corp.
Model Solo – Generation 2
Year 2019



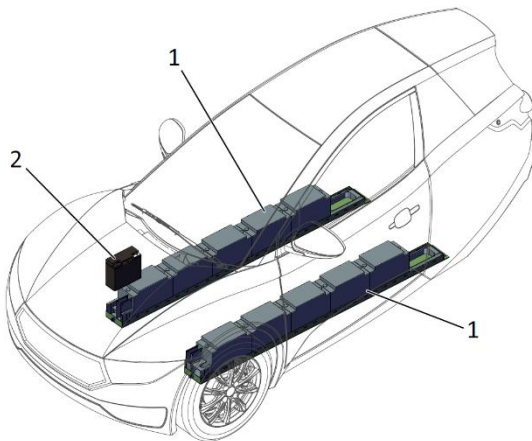
High Voltage Components



Note: High voltage cables are colored orange for easy identification in the Solo.



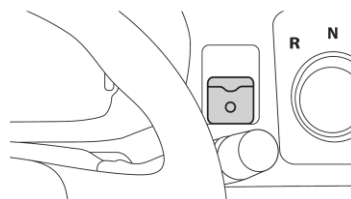
Batteries



1. High-Voltage 144V
The 144-volt high-voltage battery travels along the length of the chassis on either side of the seat, from front to rear.
2. Low-Voltage 12V
The 12-volt low-voltage battery is located at the right front of the chassis, to the right of the accelerator pedal. All low-powered electronics are powered by this battery.

Firefighting

- Wear full PPE and SCBA.
- Use insulated tools.
- Use a large volume of water to suppress and cool the fire and batteries.
- Use thermal imaging equipment to evaluate risk of battery ignition or re-ignition.
- Stabilize the vehicle.
 1. Chock the wheels.
 2. Push the Electronic Parking Brake (EPB) button (image below). The Solo needs to be on with the key in the RUN position to activate the EPB.



Electronic Parking Brake (EPB) Button 1

- Have sufficient fire personnel and apparatus on scene for an extended operation to monitor the batteries' heat for possible re-ignition.
- During extraction, avoid cutting into the vehicle near the battery tunnels, 12V battery housing, and HV components.
- Communicate the potential hazards of an electric vehicle to second responders before turning the vehicle over to them.
- The vehicle should be stored away from other vehicles, buildings, combustibles.

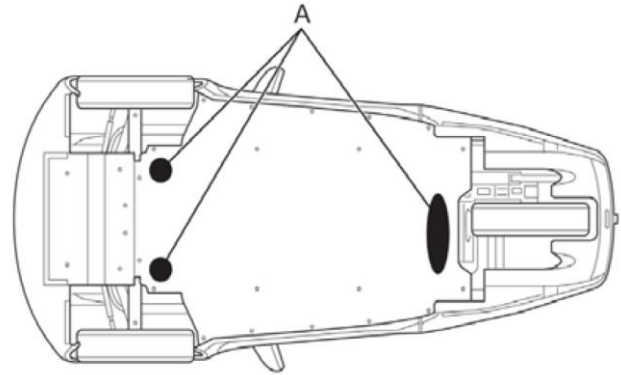


Jacking and Lifting the Vehicle

⚠ WARNING Never raise the vehicle when the charge cable is connected, even if charging is not in progress. Always disconnect the charge cable before raising the vehicle.

⚠ CAUTION The illustrated lifting points are the only approved lifting points for your vehicle. Lifting the vehicle at any other points may cause irreparable damage to the vehicle. The repairs would not be covered by the vehicle warranty.

⚠ CAUTION Use a suitable rubber or wooden pad between the jack and the vehicle body to prevent surface damage.



Point A shows the safe lifting locations

⚠ WARNING Always treat the Solo as though the HV systems are on and energized.

⚠ WARNING Never touch, cut, or open HV cables or HV components without properly rated PPE and tools.

Note: Treat a submerged Solo like any other submerged vehicle.